

TR 80-350

Three-Pass Hot Water Boiler

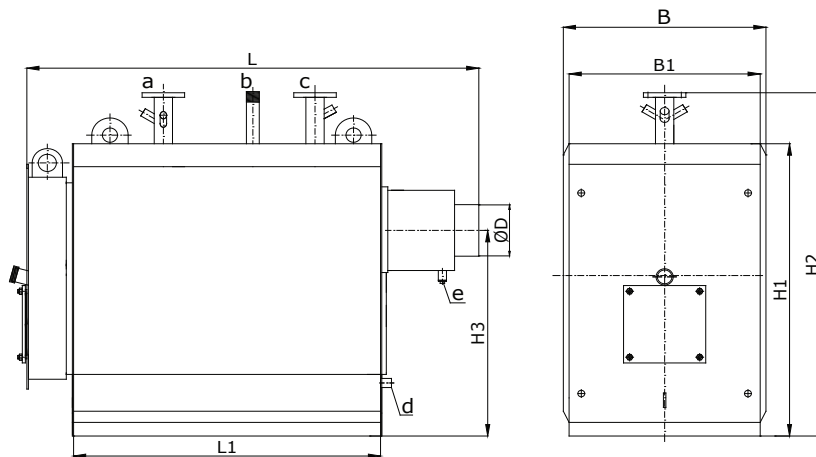
GROUND TYPE CONVENTIONAL BOILERS



Small size, high efficiency, long life

- * 4-6-8 bar operating pressure
- * Up to 95,4% efficiency
- * Small width enables easy access to boiler room and assembly of the boiler
- * Thanks to low chimney gas emissions, damage to environment is minimized
- * Thanks to turbulators placed in third pass smoke pipes, maximum benefit is provided from heat energy
- * Designed and produced in accordance with Public Works pos. no: 152-4000.

TRIPLETTE - TR 80 - 350 80 and 350 kW Heat Capacity, Liquid and Gas Fired Three-Pass Hot Water Boiler



Technical Specifications	Unit	80	105	150	200	250	300	350
Capacity	kW	80	105	150	200	250	300	350
L	mm	1510	1516	1.617	1.800	1.870	2.120	2.167
L1	mm	1.020	1.020	1.120	1.300	1.340	1.590	1.640
B	mm	750	750	910	910	990	990	990
H1	mm	1.020	1.020	1.230	1.230	1.340	1.340	1.340
H2	mm	1.200	1.200	1.408	1.410	1.518	1.518	1.518
H3	mm	718	718	895	895	948	948	985
ØD	mm	180	180	200	200	200	200	240
Water Outlet (a)	DN	50	50	50	65	65	65	65
Water Inlet (c)	DN	50	50	50	65	65	65	65
Safety Valve (b)	mm	Ø42,4	Ø42,4	Ø48,3	Ø48,3	Ø48,3	Ø48,3	Ø60,3
Boiler Drain (d)	inch	3/4"	3/4"	3/4"	3/4"	3/4"	3/4"	3/4"
Flue water discharge Outlet (e)	inch	1/2"	1/2"	1/2"	1/2"	1/2"	1/2"	1/2"
Water Volume	lt	220	230	400	460	520	620	620
Counter Pressure	mbar	0,7	0,9	1,3	1,8	2,3	2,7	3,0